

TTW95

Temperature controllers

HEATING CAPACITY

3000 - 6000 - 9000 - 12000 W



ELECTRICAL PANEL

Complete with motor starting, heating element and main disconnect switch with circuit breakers, electrical power connections with relay phase sequence control and alarm signal. The front of the panel incorporates indicator lights, green for correct operation, red for general, pump and heating element faults. Static power relays for heating temperature regulation.

MANAGEMENT AND CONTROL

Temperature control with PID heating and cooling regulation with sensor fault diagnostics and water minimum and maximum temperature control. RS485 serial communication on request.

MAIN ACCESSORIES (on request, ref. page 183)

- VO - Stop valves
- RU - Castors
- External temperature sensor kit
- Non-standard paint/coating
- Satin AISI 304 stainless steel framework
- Non-standard supply voltages possible

STRUCTURE

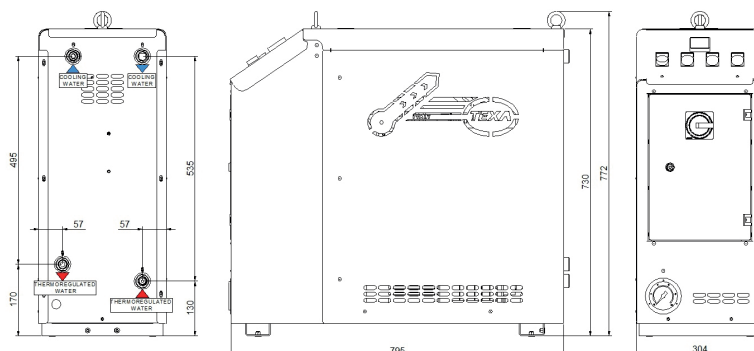
In powder-coated steel sheet, RAL 7035 textured finish. Easily removed panels

LIQUID CIRCUIT

DIRECT cooling circuit (high-efficiency INDIRECT on request with plate heat exchanger). ON-OFF cooling solenoid valve, or modulating valve on request. Stainless-steel centrifugal pump. Reinforced heating elements with large heat-exchange area.

Flow switch, minimum pressure switch and mechanical maximum pressure valve are installed to protect the fluid circuit.

Dimensions



Model		TTW95			
Type of heating/cooling		Direct			
Stepping	%	0-100			
Field of operation	°C	+5 - +95			
Temperature regulation precision	°C	+/-0.5			
Control action	-	PID			
Heating section					
Power	kW	3.0	6.0	9.0	12.0
Maximum temperature	°C	95			
Type	-	Electric			
Control	-	SSR			
Pump					
Pump type	-	Centrifugal			
Min/max fluid flow rate	l/min	36.0		60.0	
Nominal head	bar	5.4		3.6	
Max. power draw	kW	0.9			
Max. current draw	A	1.8			
Maximum pressure	bar	10			
Electrical specifications					
Supply voltage	V ph Hz	400V (+/-10%) 3ph 50Hz			
Secondary supply voltage	V	24 V AC			
Max. power draw	kW	3.8	6.8	9.8	12.8
Max. current draw	A	7.2	12.0	16.8	21.6
Total volume	l	3.6	5.4	7.2	9.0
IN/OUT liquid connections	inch	1"			
IN/OUT cooling connections	inch	1"			
Net weight (approximate)***	kg	75	80	90	95
Width	mm	304			
Depth	mm	795			
Height	mm	730			
Noise	dB(A)	50			
Colour	-	RAL7035			
IP rating	IP	44			

* Weight without pallets, packaging and drained of fluid.

** Sound pressure level, measured in a free hemispherical field at a distance of 1 m from the machine and 1.5 metres from the ground, per ISO 3746.

*** The electrical data refer to $\cos \phi = 0.8$.